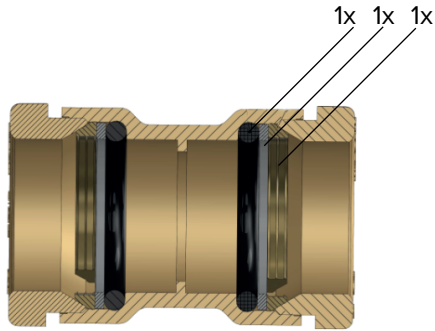
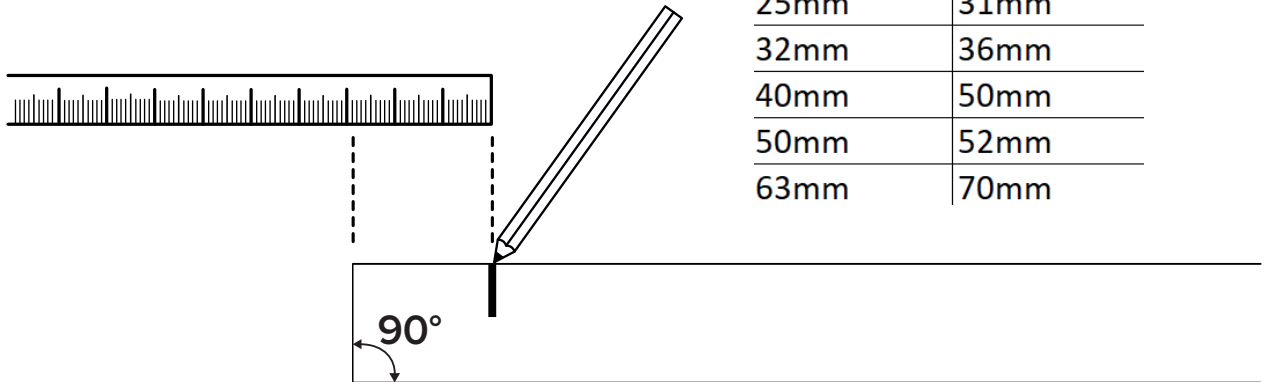


**1**



**2**



Dimension	Insert depth
16mm	30mm
20mm	30mm
25mm	31mm
32mm	36mm
40mm	50mm
50mm	52mm
63mm	70mm

**3**

